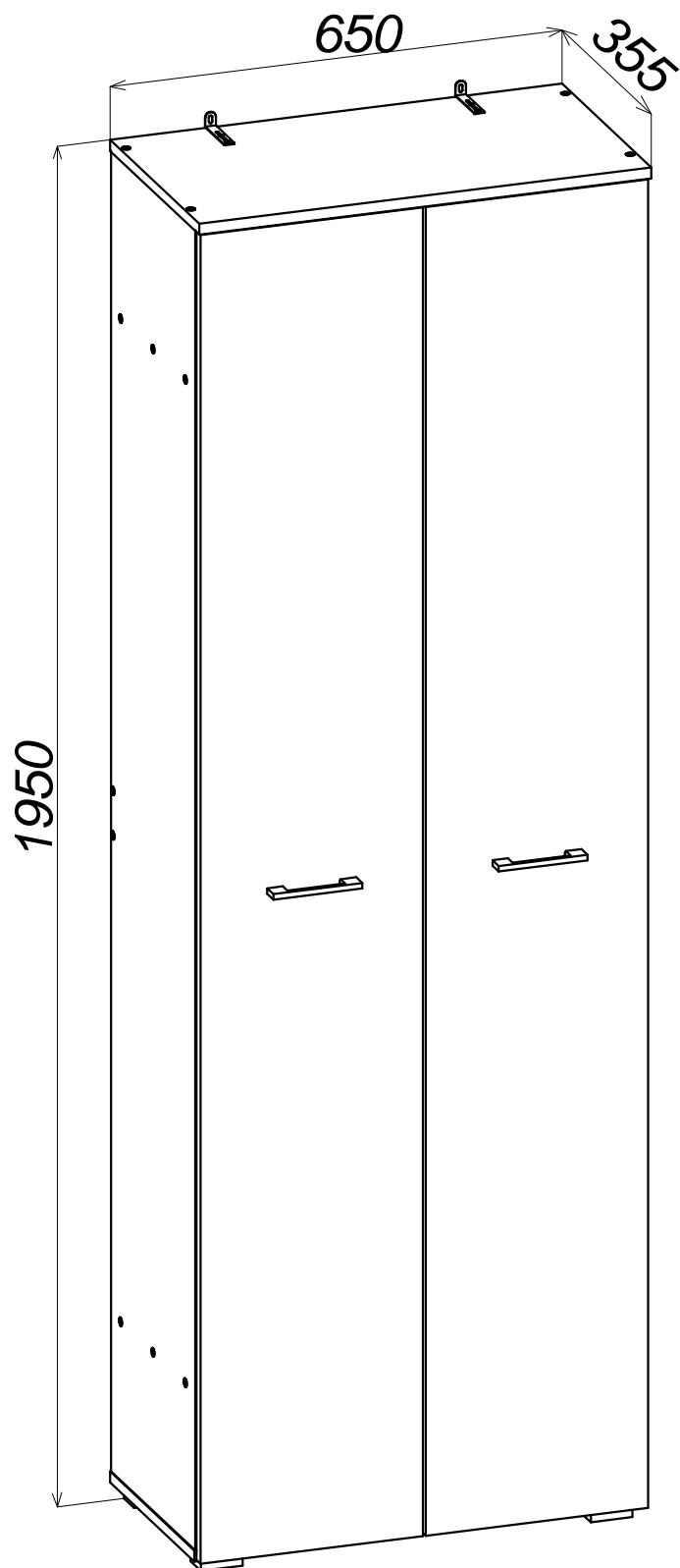
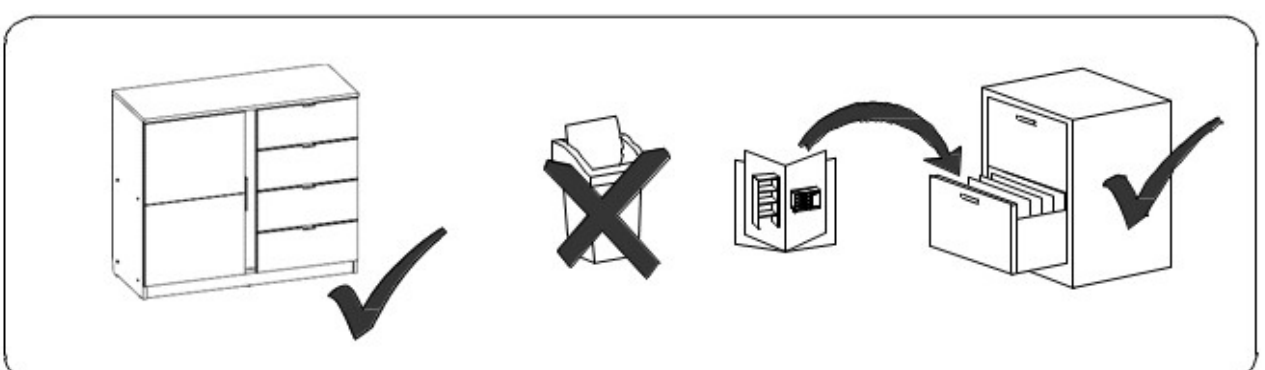
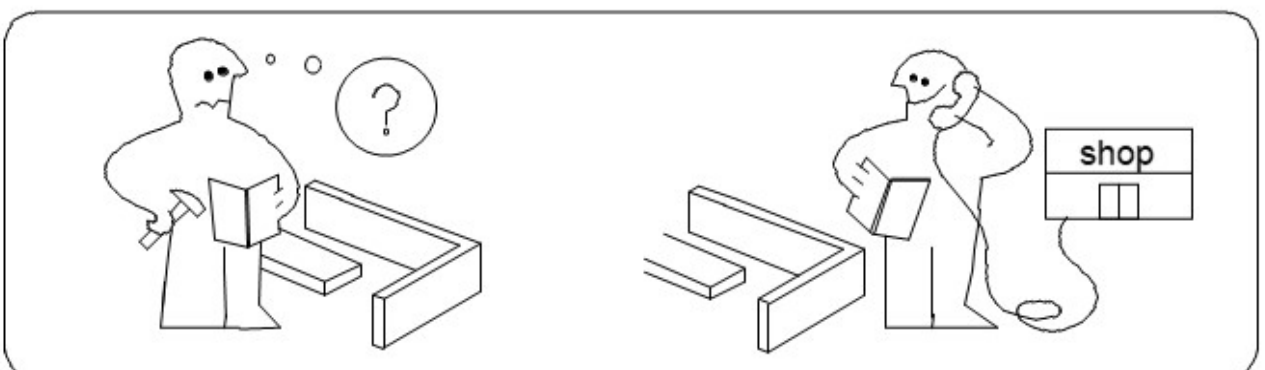
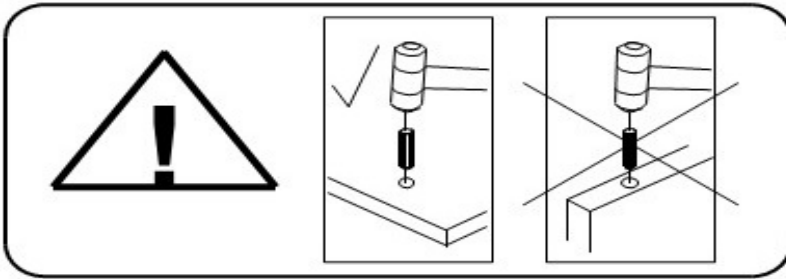


















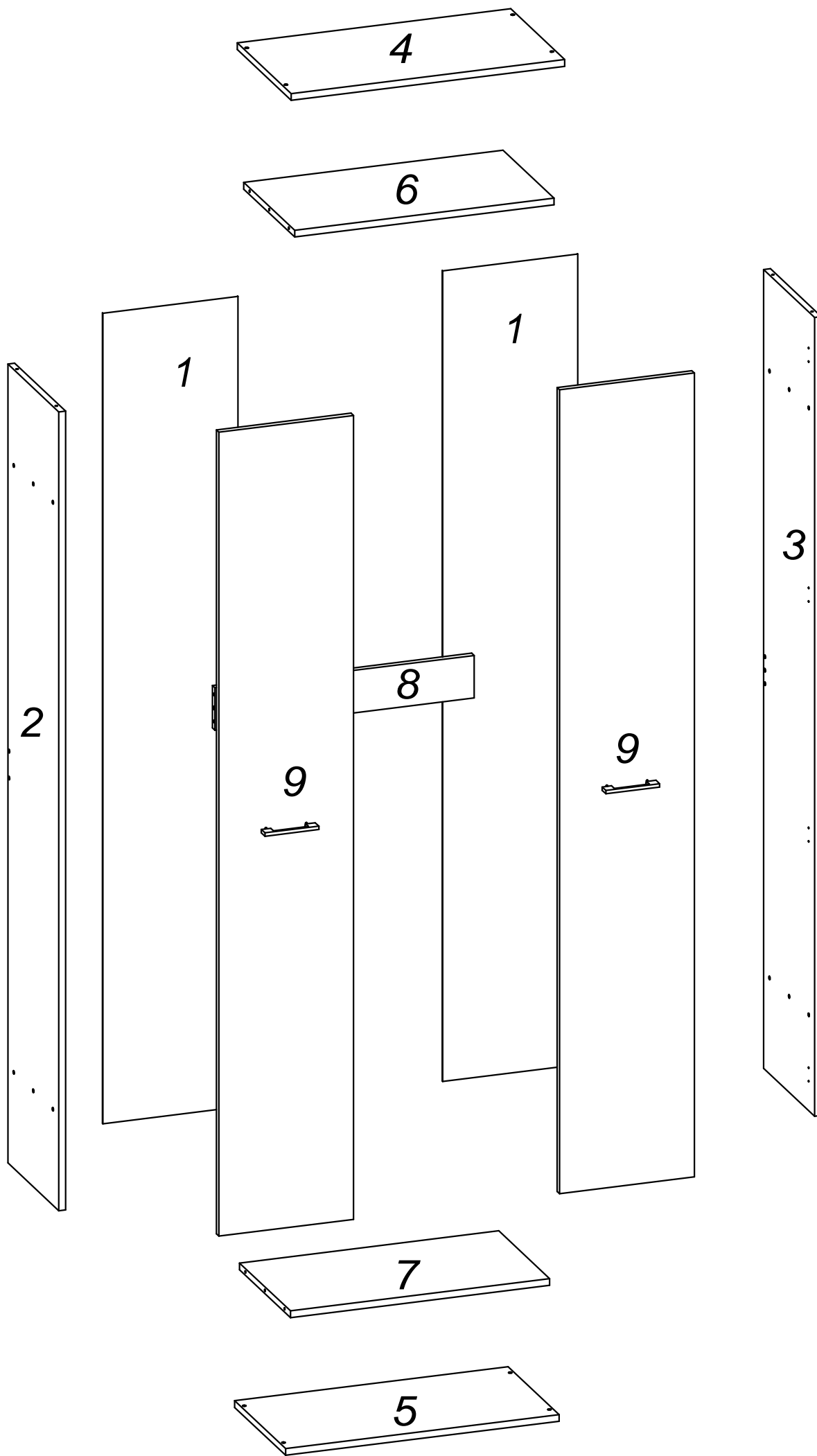
# Гардероб Манди



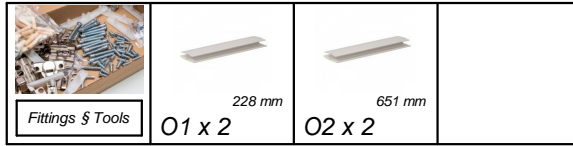
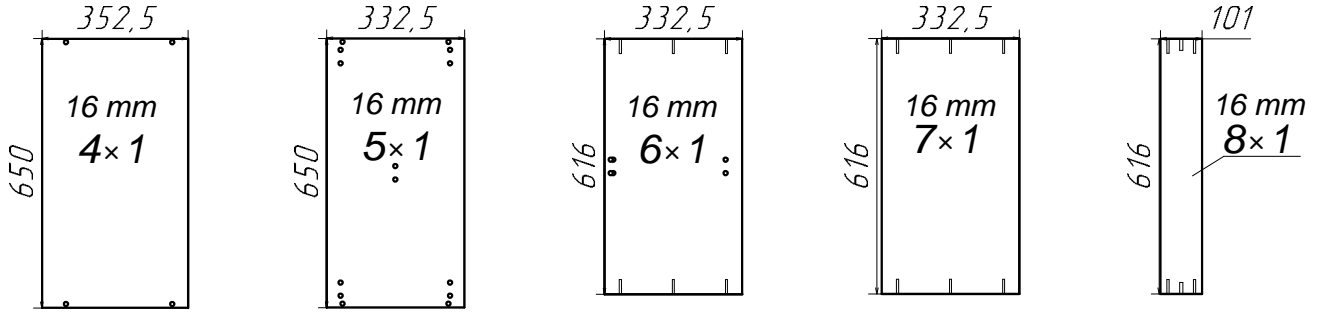




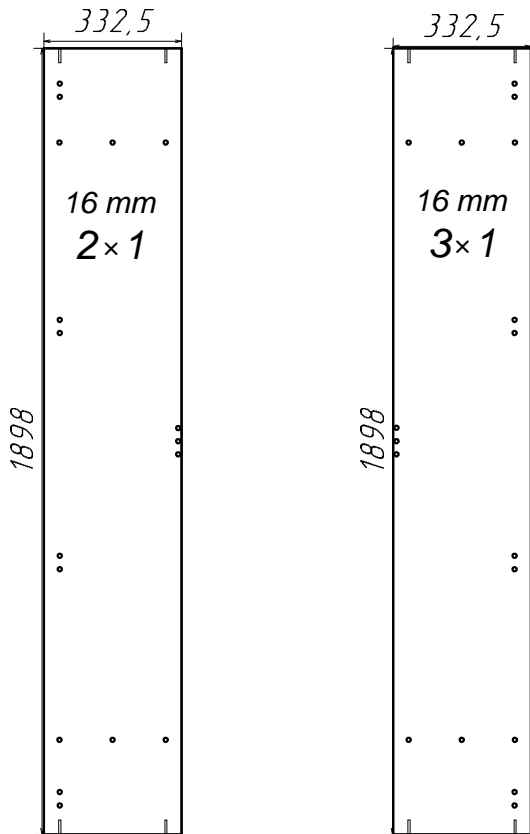
 $\varnothing 6,3 \times 50 \text{ mm}$ <b>A1 x 24</b>	 $\varnothing 12 \text{ mm}$ <b>A2 x 24</b>	 4 mm <b>A3 x 1</b>	 $\varnothing 12 \times 3 \text{ mm}$ <b>C x 4</b>	 $\varnothing 4 \times 16 \text{ mm}$ <b>D1 x 40</b>
 $\varnothing 4 \times 20 \text{ mm}$ <b>D2 x 4</b>	 $\varnothing 4,2 \times 32 \text{ mm}$ <b>D3 x 4</b>	 $\varnothing 8 \times 36 \text{ mm}$ <b>G x 2</b>	 $\varnothing 1,6 \times 25 \text{ mm}$ <b>F x 66</b>	 <b>H x 2</b>
 <b>M x 8</b>	 h 20 mm <b>N x 5</b>	 228 mm <b>O1 x 2</b>	 651 mm <b>O2 x 2</b>	 <b>P x 1</b>
 <b>Y x 2</b>				



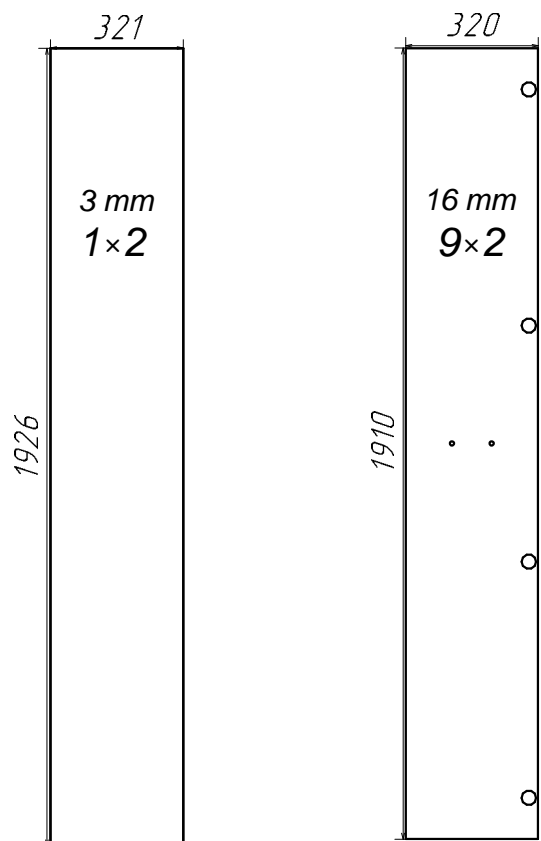
# Box 1 / 3



# Box 2 / 3

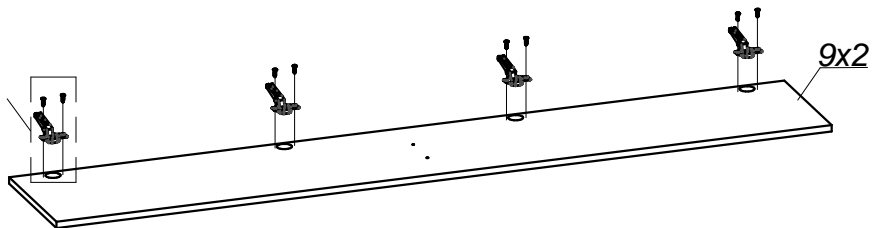
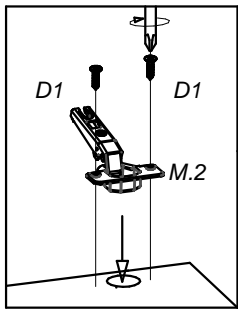
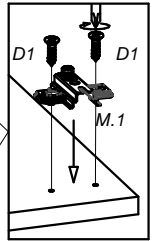
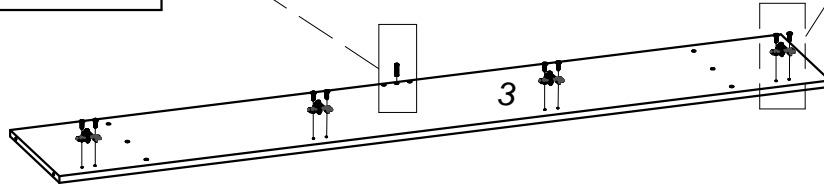
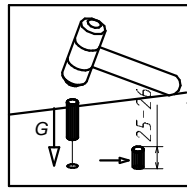
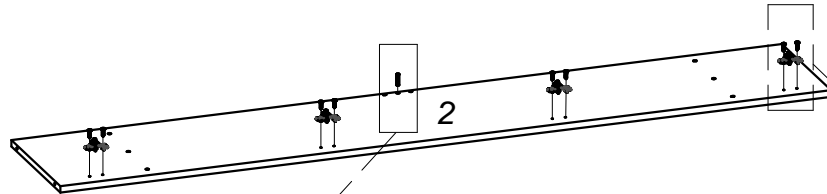
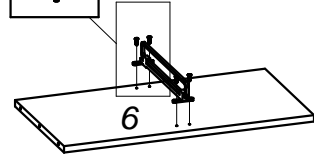
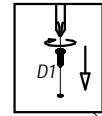
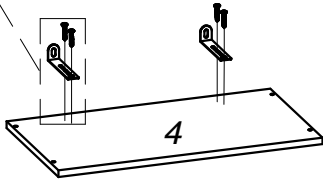
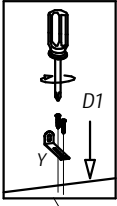


# Box 3 / 3






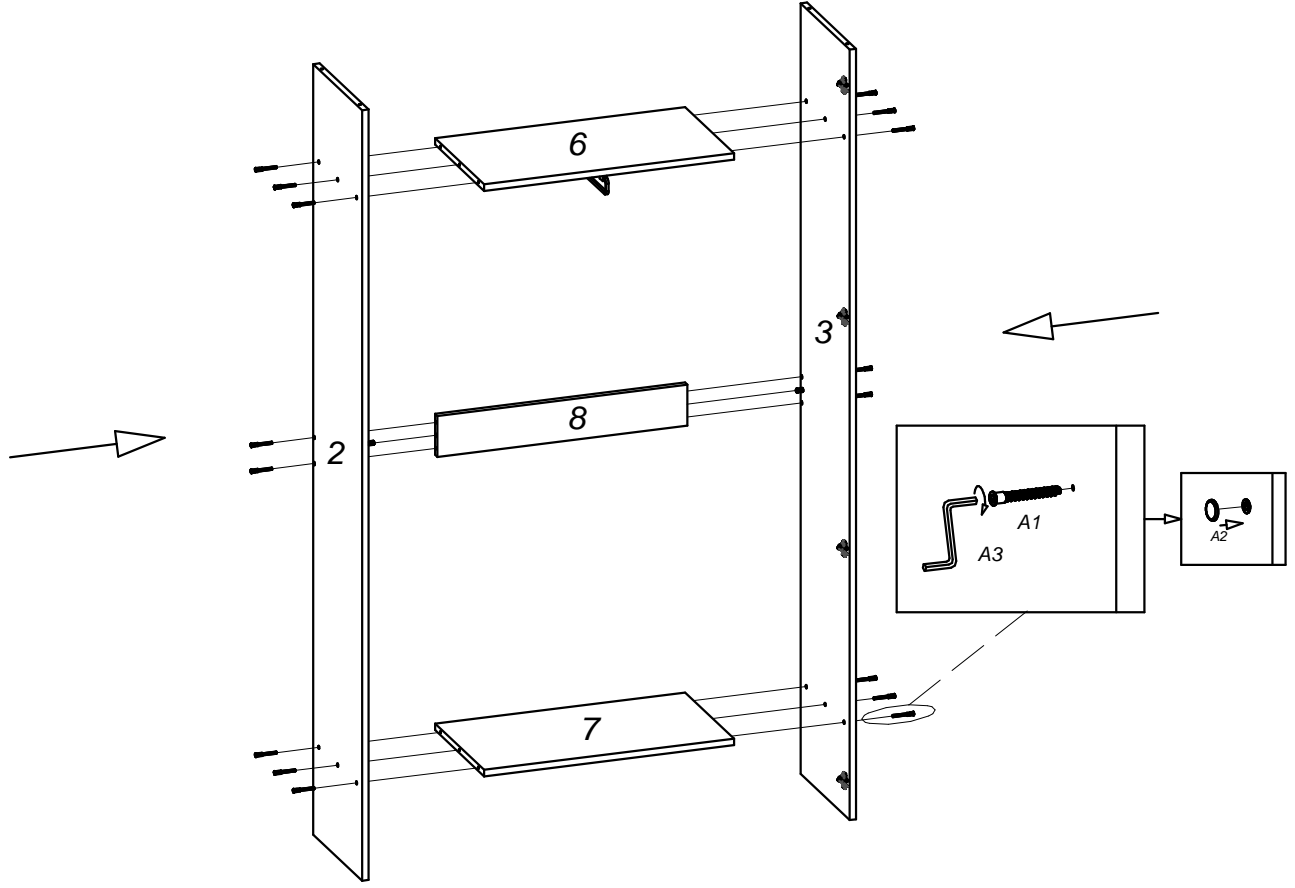
1

 Ø4x16 mm D1 x 40	 Ø8x36 mm G x 2	 M x 8	 P x 1	 Y x 2				
---	---	---	---	---	--	--	--	--






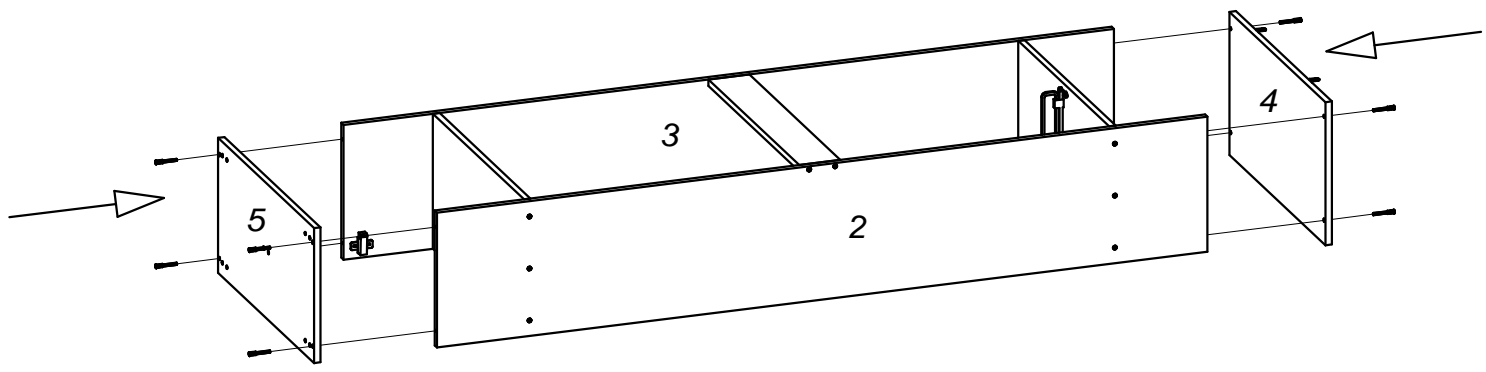
2

 ∅6,3x50 mm A1 x 16	 ∅12 mm A2 x 16	 4 mm A3 x 1							
---	---	--	--	--	--	--	--	--	--



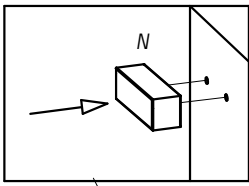
3

 ∅6,3x50 mm A1 x 8	 ∅12 mm A2 x 8	 4 mm A3 x 1							
---	---	---	--	--	--	--	--	--	--

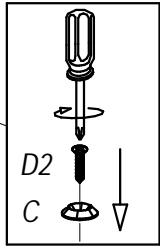
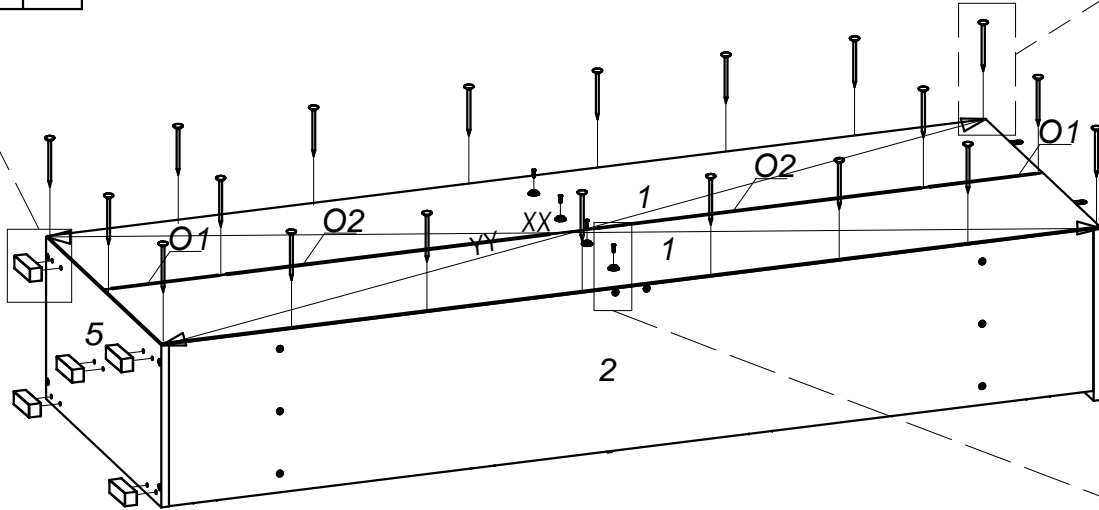
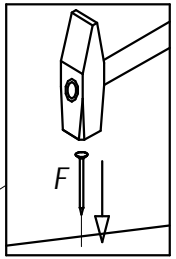


4



 C x 4 ∅12x3 mm	 D2 x 4 ∅4x20 mm	 F x 66 ∅1,6x25 mm	 N x 5 h 20 mm	 O1 x 2 228 mm	 O2 x 2 651 mm				
---	--	--	--	--	---	--	--	--	--



$XX=YY=90^\circ$



5

 D3 x 4 ∅4,2x32 mm	 H x 2								
---	--	--	--	--	--	--	--	--	--

